



INSTALLATION AND MAINTENANCE INSTRUCTIONS

WALDIS BASIC 480
RESISTANCE LEVEL II
AS PER EN1143-1



Thank you

Thank you so much for putting your trust in Waldis for your security needs.

You've chosen to buy an EN1143-1-certified safe. A high-quality Swiss product checked and approved by the VdS.

Please read these instructions carefully before setting up your safe!

For any questions, please contact:

WALDIS Tresore AG

Hofwissenstrasse 20

CH-8153 Rümlang

Tel: +41 43 211 12 00

Fax: +41 43 211 12 12

Email: info@tresore.ch

Contents

1. General information	1
1.1. Safety instructions	1
1.2. Weight.....	1
1.3. Regulations and insurance	1
1.4. Operation elemnts	2
1.5. Set up	2
2. Installation.....	2
2.1. Positioning against the building wall	2
2.2. Anchoring the safe.....	3
2.2.1. Important prior clarification	3
2.2.2. Preparing the safe	3
2.2.3. Anchoring hole dimensions.....	4
2.2.4. Procedure	4
3. Maintenance and care instructions	5
5. Guarantee against theft	6

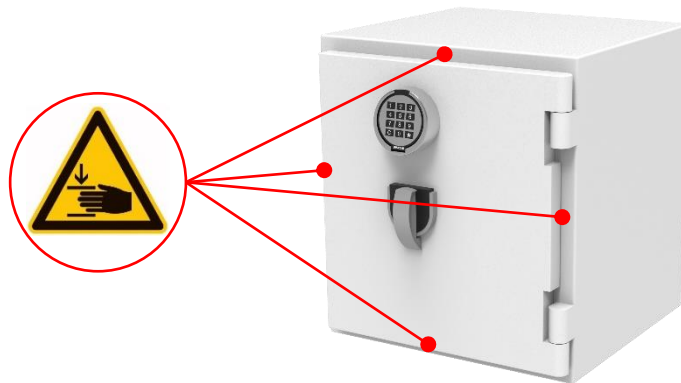
1. General information

Every WALDIS Basic 480 safe is equipped with an electronic security lock. To operate the lock, please use the 500.0021 instruction manuals enclosed. You can find the comprehensive instruction manual, produced by the manufacturer, at: www.carl-wittkopp.com (Primor 1000/3000).

1.1. Safety instructions



PLEASE NOTE: Please make sure that no body parts get trapped between the doors and the case when opening and closing the doors!



PLEASE NOTE: Before closing the doors, make sure that the handle is in the open position and the bolt is retracted!

1.2. Weight

Model	Weight (kg)
Basic 480	ca. 125

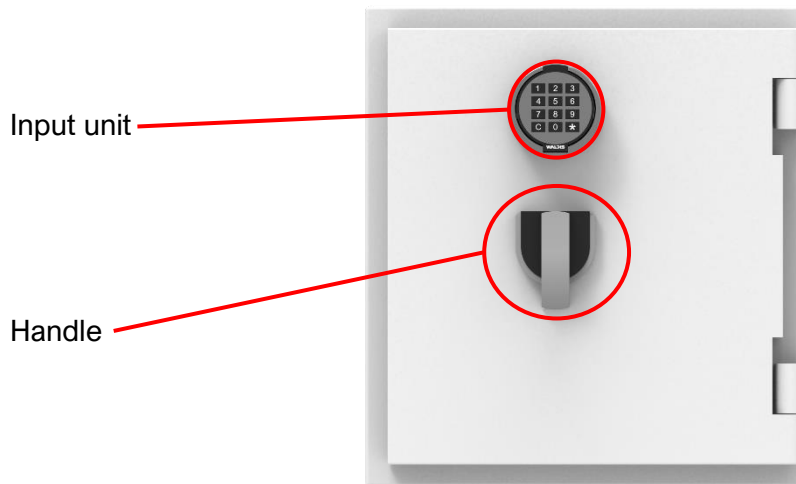
1.3. Regulations and insurance

For all safes with a net weight of less than 1000 kg, professional anchoring either during construction or by the client is a minimum requirement of the EN1143-1 standard. For this reason, all safes are equipped with 3 bore holes (2 on the back wall and 1 on the base) with a diameter of 16.5 mm. If it is not possible to anchor the safe in accordance with current regulations, the property insurance company must be informed and an alternative solution must be found.



PLEASE NOTE: The safe's warranty and certification terminate after attempted break-ins, fires and unauthorised interference with the structure!

1.4. Operation elements



1.5. Set up

The safe is delivered without a battery inserted as standard, meaning it can be opened and closed without entering a code.

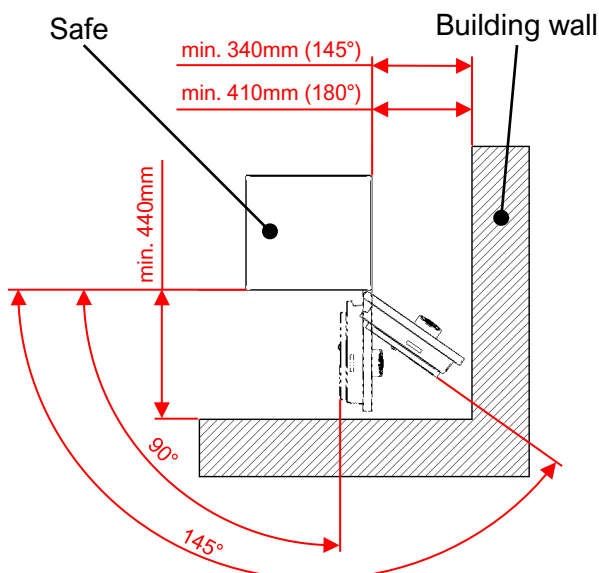
If the battery is inserted and the safe is locked when delivered, please follow the 500.0021 instruction manual.

2. Installation

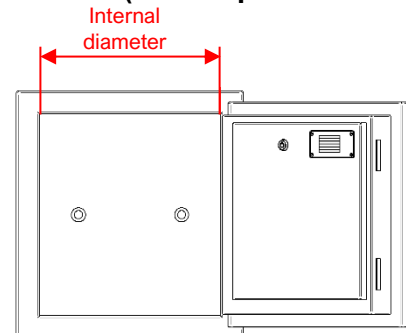
2.1. Positioning against the building wall

When placing the safe, it must be noted that a minimum distance of 440 mm to the wall must be maintained at the front in order to be able to open the door more than 90°. If you also want to be able to use the full light width of the safe, a minimum distance of 340 mm must also be maintained from the hinge side to the wall so that the door can be opened by 145°. If the door is to be opened 180°, a minimum distance of 410 mm must also be maintained from the hinge side (see following figure).

View from above with building wall



Front view (doors opened to 145°)



2.2. Anchoring the safe



PLEASE NOTE: Assembly and anchoring may only be carried out by WALDIS Tresore AG's trained staff or by authorised specialists! WALDIS Tresore AG accepts no liability for damage to people or property in case of incorrect assembly and anchoring.

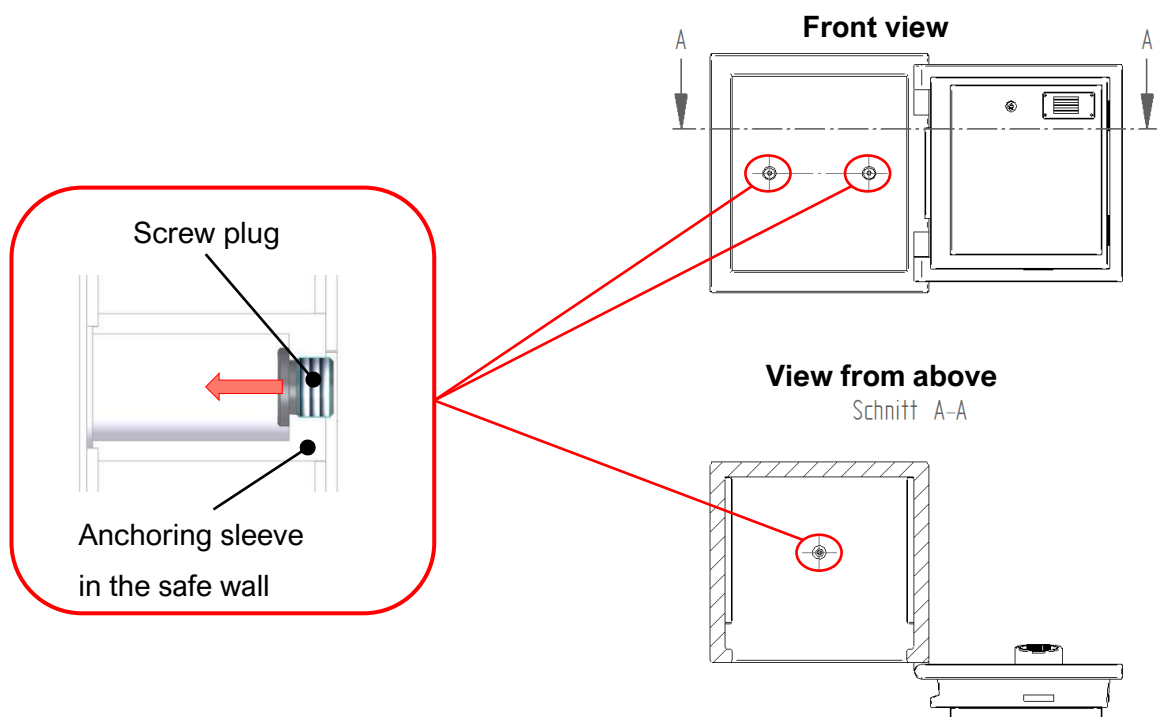
2.2.1. Important prior clarification

Check that the building floor and building wall are suitable for installing the safe and that there are no wires, pipes or similar in the area to be drilled!

In case of doubt, an expert report should be issued to guarantee that the intended assembly location in the building can withstand the weight of the safe, including its contents.

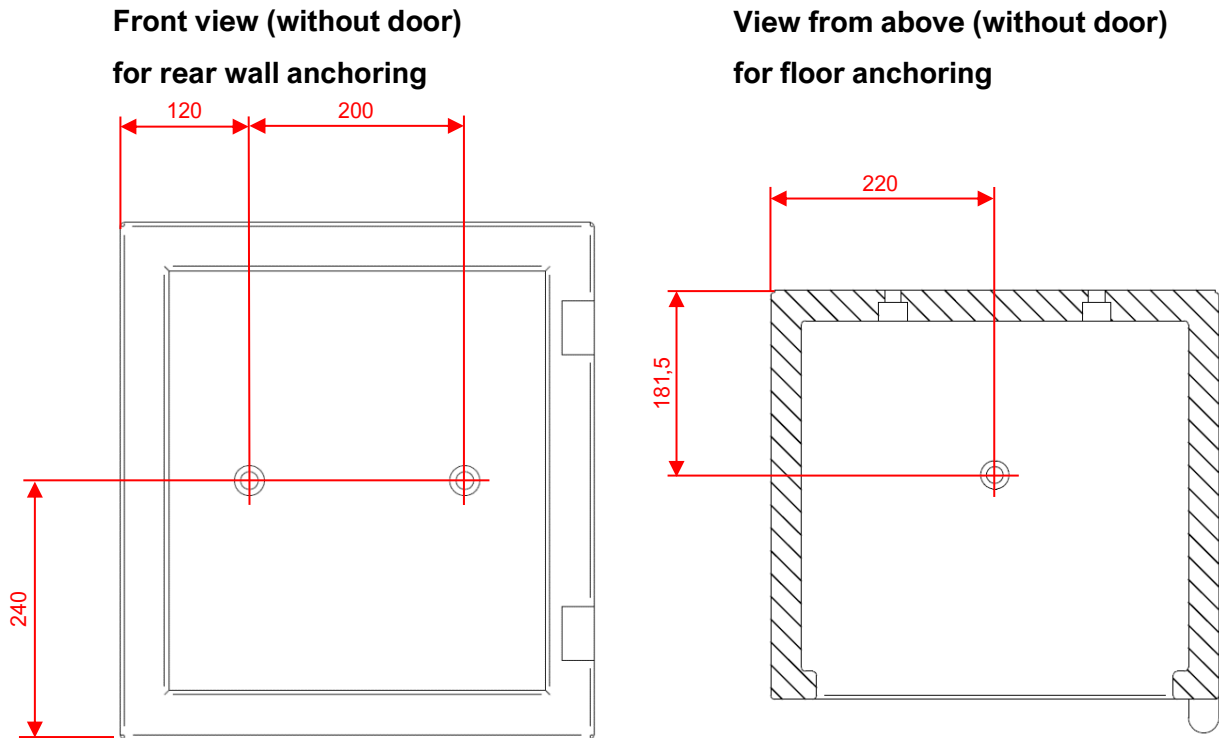
2.2.2. Preparing the safe

Before anchoring through the rear wall, two screw plugs (Allen key 8mm) must first be removed from the interior of the safe. Before anchoring through the floor, one screw plug (Allen key 8mm) must be removed from the interior of the safe:



2.2.3. Anchoring hole dimensions

In order to drive the supplied drop-in anchor into the building wall or building floor at the assembly location in advance, please consult the dimensions in the following figure for drilling pattern for the WALDIS Basic 480.



2.2.4. Procedure

The safe is delivered with 2x cylinder screws with an M12x30 internal hex (DIN 912, strength grade 8.8), 2x M12 washers (DIN 125 A) and 2x M12x50 drop-in anchors.

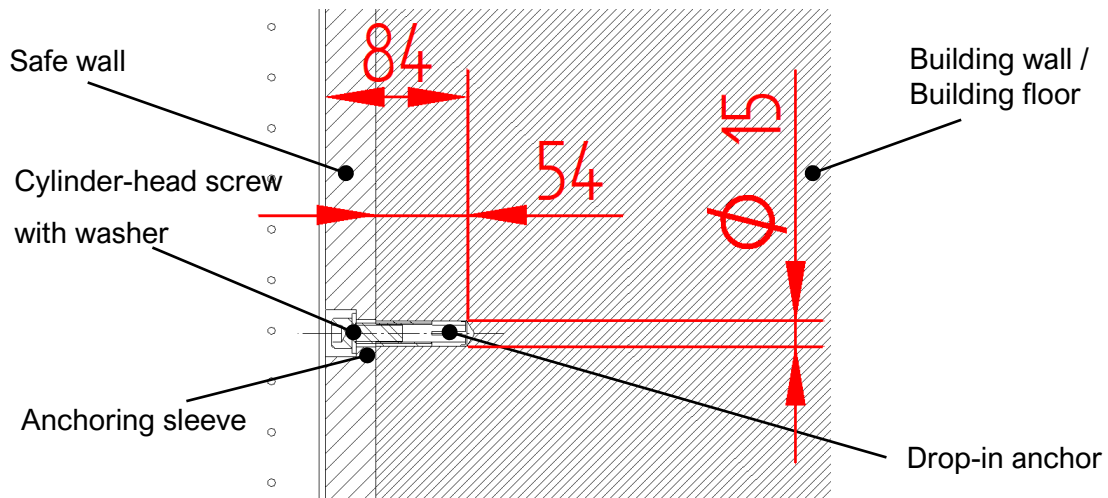


If it is not possible to use the installation material specified or it is not possible to anchor the safe, please consult your property insurance provider to find an alternative anchoring solution.

Follow this procedure to anchor the safe into the building wall or floor:

1. Draw the drilling pattern on the desired position and then drill the anchoring holes with $\text{\O}15$ concrete drill and an impact drill.
 - The $\text{\O}15$ drill hole must be at least 54 mm (from the wall/floor) or at least 84 mm (from the safe's interior wall) deep.
2. The EA2 M12x50 drop-in anchor can be hammered in once all anchoring holes have been drilled.
 - Please consult the manufacturer's information sheet for hammering in the Fischer EA2 M12x50 drop-in anchor (Fischer no.: 48406).
3. Align the safe with the installation holes in the building wall or the building floor.
4. If the safe is to be anchored to the building wall, it has to be evenly hammered into the wall evenly.
5. Level out the safe so that the door stands still in any position and does not start to swing in one direction (open or closed) on its own.
 - To do this, place small hardboards (Pavatex) under the corners required.

6. Attach a washer to each of the cylinder screws and screw them through the anchoring sleeve into the drop-in anchor (10mm Allen key) until they line up.
7. Tighten the cylinder screws to 35 Nm (10mm Allen key), and then tighten them again to 35 Nm in the same order to be sure.



If the installation material supplied cannot be used owing to the quality of the floor or wall, installation has to be adapted to the actual conditions. The dowel used must match the type of quality of the building material to be anchored into (minimum requirements for threaded rods, screws and dowels M12: Strength grade 8.8, DIN 975 with ISO 7089 discs). Please observe the manufacturer's instructions

3. Maintenance and care instructions

Your safe is essentially maintenance-free. However, we still recommend carrying out a lubricating and servicing interval as follows, depending on frequency of use but at least every 12 months:

- Lightly oil the hinges using penetrating oil (e.g. Brunox Turbo Spray).
- Open the door and extend the bolt using the handle, then grease lightly using a multi-purpose grease (e.g. Motorex 176 GP).
- The chrome-steel shelf can be cleaned using a standard chrome-steel cleaner (e.g. Dr. Weigert neoblank spray).
- The varnished surfaces can be wiped down with a damp cloth.



WARNING: Do not clean with household chemical products!

Should any mechanical problems or electrical issues occur, please consult your trusted specialist dealer or contact WALDIS Tresore AG directly.

4. Exemption from liability

The above guarantee and the theft guarantee include a final provision with regard to the delivery of the item purchased. Any further liability is completely excluded. As for services by WALDIS that are to be arranged separately, such as transportation, packaging, insurance, assembly and installation, WALDIS' liability is limited to damage caused by gross negligence or deliberate intent (Art. 100, Para. 1 OR). The customer also recognises WALDIS' right to use external companies to fulfil the additional services listed. In this case, WALDIS' liability is limited to selecting and instructing the external companies with care (Art. 399, Para. 2 OR).

5. Guarantee against theft

WALDIS provides a guarantee against theft from the secure storage unit for safes starting from resistance level 2 to cover the duration stated in the order confirmation, as per European standard EN 1143-1. In particularly vulnerable locations, WALDIS may limit this guarantee or make it subject to additional measures, e.g. an alarm system. In these cases, the alarm system has to have been functional and activated at the time the theft took place and the alarm has to have been triggered and relayed. Otherwise, the theft guarantee terminates immediately.

The guarantee against theft means that, in the event of theft of the secure storage box anchored by WALDIS at that location, WALDIS is obliged to replace the secure storage box concerned, but not to cover damages resulting from the theft, or additional costs such as transportation and assembly of the new secure storage box, or disassembly or disposal of the old secure storage box. The customer is not entitled to any kind of compensation or replacement of the contents of the secure storage box. The guarantee against theft only applies to theft at the location where the secure storage box was positioned and anchored at least four times in accordance with the current instruction manual either by WALDIS or an authorised partner company. If the secure storage box is not positioned, anchored or moved by WALDIS or an authorised partner company, the theft guarantee terminates immediately.

The safe's warranty and certification terminate after attempted break-ins, fires and authorised interference with the structure.