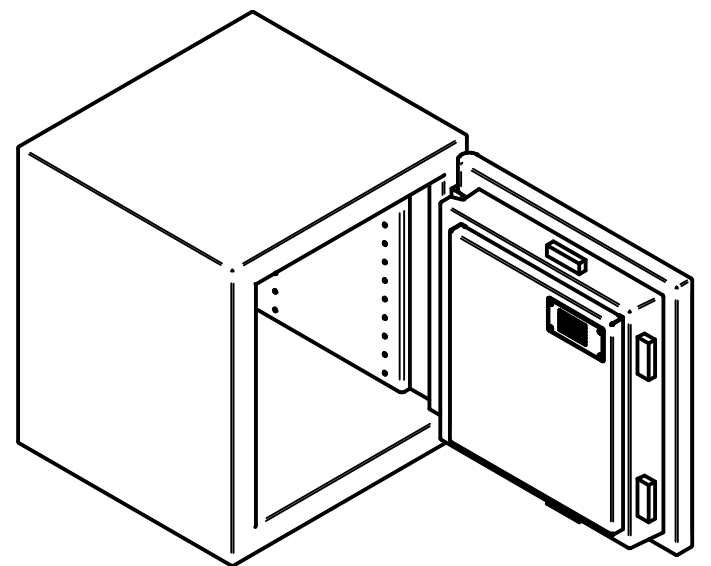
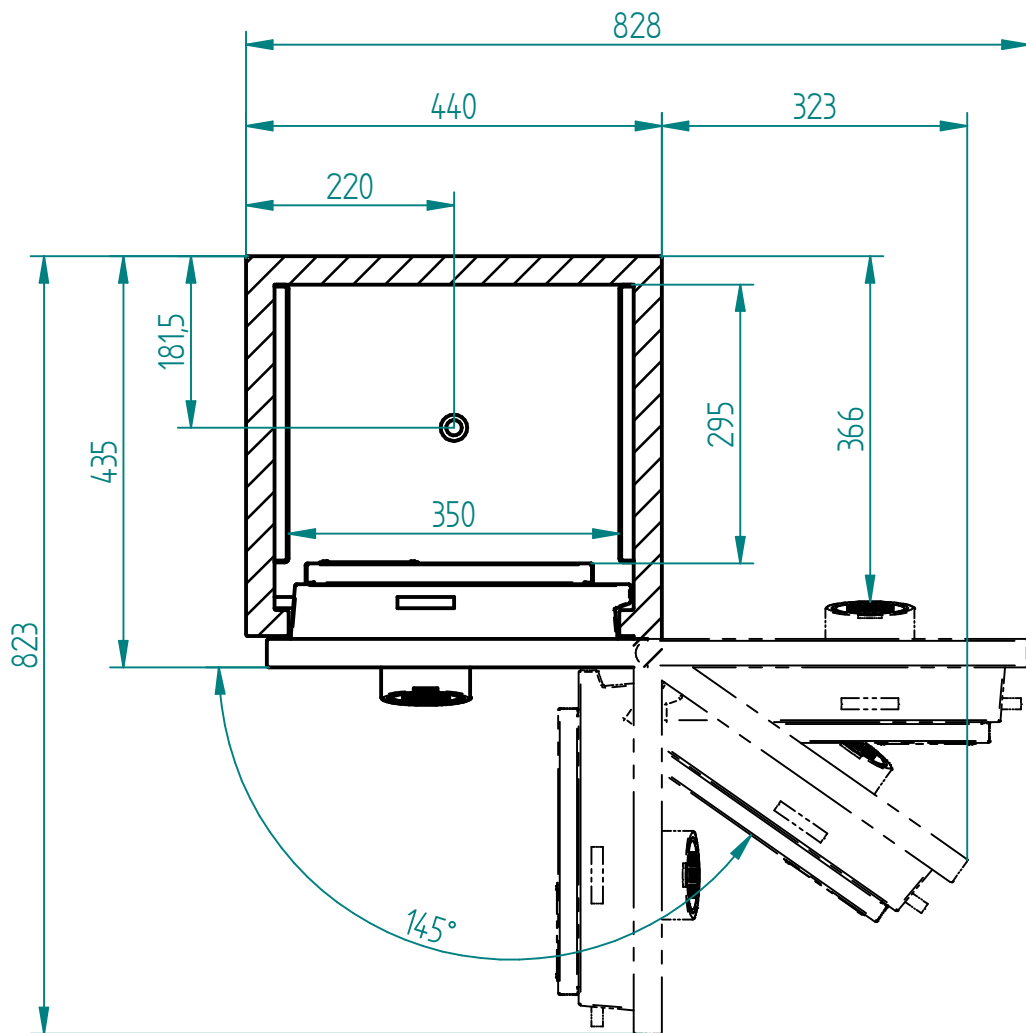


### Schnitt A-A



Bei 145° volle Innenbreite zugänglich

| Typ | Aussenmasse |     |     | Innenmasse |     |     | Inhalt | Gewicht    |
|-----|-------------|-----|-----|------------|-----|-----|--------|------------|
|     | H           | B   | T   | h          | b   | t   |        |            |
|     | 480         | 480 | 440 | 390        | 350 | 295 | 41 l   | ca. 125 kg |

| Das Urheberrecht an diesen Zeichnungen und allen Beilagen, die dem Empfänger persönlich anvertraut sind, verbleibt jederzeit unserer Firma. Ohne unsere schriftliche Genehmigung dürfen sie nicht kopiert oder vervielfältigt, auch niemals dritten Personen mitgeteilt oder zugänglich gemacht werden.  |                 | Masstab:        | 1:8  |                 |        |       |  |     |                         |   |       |      |       |      |      |    |   |                |                |       |        |     |        |                             |  |                    |  |
|--|-----------------|-----------------|--|-----------------|--------|-------|--|-----|-------------------------|---|-------|------|-------|------|------|----|---|----------------|----------------|-------|--------|-----|--------|-----------------------------|--|--------------------|--|
|  |                 | Name:           |  | Werkstoff: -    |        |       |  |     |                         |   |       |      |       |      |      |    |   |                |                |       |        |     |        |                             |  |                    |  |
|  |                 | Datum:          |  | Gewicht: -      |        |       |  |     |                         |   |       |      |       |      |      |    |   |                |                |       |        |     |        |                             |  |                    |  |
|  |                 | Gezeichnet:     | rsc  | Materialstärke: |        |       |  |     |                         |   |       |      |       |      |      |    |   |                |                |       |        |     |        |                             |  |                    |  |
| Allgemeine Toleranzen SN EN ISO 2768-mK<br>Lagenmasse<br><table border="1"> <tr> <th>Nennmasse in mm</th> <th>Nennmasse in mm</th> </tr> <tr> <td>0.6</td> <td>6.30</td> </tr> <tr> <td>30.120</td> <td>0.5.3</td> </tr> <tr> <td></td> <td>3.6</td> </tr> <tr> <td></td> <td>6</td> </tr> <tr> <td>±0.05</td> <td>±0.1</td> </tr> <tr> <td>±0.15</td> <td>±0.2</td> </tr> <tr> <td>±0.5</td> <td>±1</td> </tr> </table> | Nennmasse in mm | Nennmasse in mm | 0.6  | 6.30            | 30.120 | 0.5.3 |  | 3.6 |                         | 6 | ±0.05 | ±0.1 | ±0.15 | ±0.2 | ±0.5 | ±1 | Winkelmasse<br>Nennmasse in °<br><table border="1"> <tr> <th>Nennmasse in °</th> <th>Nennmasse in °</th> </tr> <tr> <td>10.50</td> <td>50.120</td> </tr> <tr> <td>±1°</td> <td>±0°20'</td> </tr> </table> | Nennmasse in ° | Nennmasse in ° | 10.50 | 50.120 | ±1° | ±0°20' | Werkstückkanten<br>DIN 6784 | Name<br>Datum<br>Geprüft<br>R. Schmid<br>- | Biegeradius innen: |  |
| Nennmasse in mm  | Nennmasse in mm |                 |  |                 |        |       |  |     |                         |   |       |      |       |      |      |    |   |                |                |       |        |     |        |                             |  |                    |  |
| 0.6  | 6.30            |                 |  |                 |        |       |  |     |                         |   |       |      |       |      |      |    |   |                |                |       |        |     |        |                             |  |                    |  |
| 30.120   | 0.5.3           |                 |  |                 |        |       |  |     |                         |   |       |      |       |      |      |    |   |                |                |       |        |     |        |                             |  |                    |  |
|  | 3.6             |                 |  |                 |        |       |  |     |                         |   |       |      |       |      |      |    |   |                |                |       |        |     |        |                             |  |                    |  |
|  | 6               |                 |  |                 |        |       |  |     |                         |   |       |      |       |      |      |    |   |                |                |       |        |     |        |                             |  |                    |  |
| ±0.05  | ±0.1            |                 |  |                 |        |       |  |     |                         |   |       |      |       |      |      |    |   |                |                |       |        |     |        |                             |  |                    |  |
| ±0.15  | ±0.2            |                 |  |                 |        |       |  |     |                         |   |       |      |       |      |      |    |   |                |                |       |        |     |        |                             |  |                    |  |
| ±0.5   | ±1              |                 |  |                 |        |       |  |     |                         |   |       |      |       |      |      |    |   |                |                |       |        |     |        |                             |  |                    |  |
| Nennmasse in °   | Nennmasse in °  |                 |  |                 |        |       |  |     |                         |   |       |      |       |      |      |    |   |                |                |       |        |     |        |                             |  |                    |  |
| 10.50  | 50.120          |                 |  |                 |        |       |  |     |                         |   |       |      |       |      |      |    |   |                |                |       |        |     |        |                             |  |                    |  |
| ±1°  | ±0°20'          |                 |  |                 |        |       |  |     |                         |   |       |      |       |      |      |    |   |                |                |       |        |     |        |                             |  |                    |  |
| Änderung<br><table border="1"> <tr> <th>Index</th> <th>Datum</th> <th>Name</th> </tr> <tr> <td> </td> <td> </td> <td> </td> </tr> </table>   |                 |                 | Index  | Datum           | Name   |       |  |     | <b>WALDIS Basic 480</b> |   |       |      |       |      |      |    |   |                |                |       |        |     |        |                             |  |                    |  |
| Index  | Datum           | Name            |  |                 |        |       |  |     |                         |   |       |      |       |      |      |    |   |                |                |       |        |     |        |                             |  |                    |  |
|  |                 |                 |  |                 |        |       |  |     |                         |   |       |      |       |      |      |    |   |                |                |       |        |     |        |                             |  |                    |  |
| www.tresore.ch<br><b>WALDIS</b><br>CH-8153 Rümlang   |                 |                 | Zeichnungs-Nr.: 100.0059<br>Revisions-Nr.: -<br>Projekt: -<br>Projekt-Nr.: -<br>Kunde: - |                 |        |       |  |     |                         |   |       |      |       |      |      |    |   |                |                |       |        |     |        |                             |  |                    |  |
|  |                 |                 |  |                 | A3     |       |  |     |                         |   |       |      |       |      |      |    |   |                |                |       |        |     |        |                             |  |                    |  |